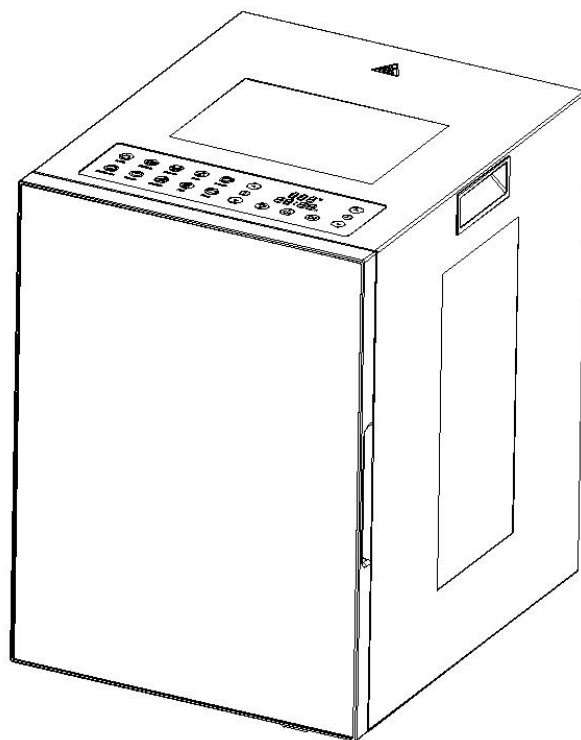


FOOD DEHYDRATOR

Instruction Manual

Model: RAWDH14



IMPORTANT:

Before using this product, please read and understand this instruction manual carefully, and keep it in a safe place; this product is only for use in homes or similar places.

Danger:

Do not immerse the base in water or any other liquid, and do not rinse under the tap.

Do not use this product to dry liquid foods.

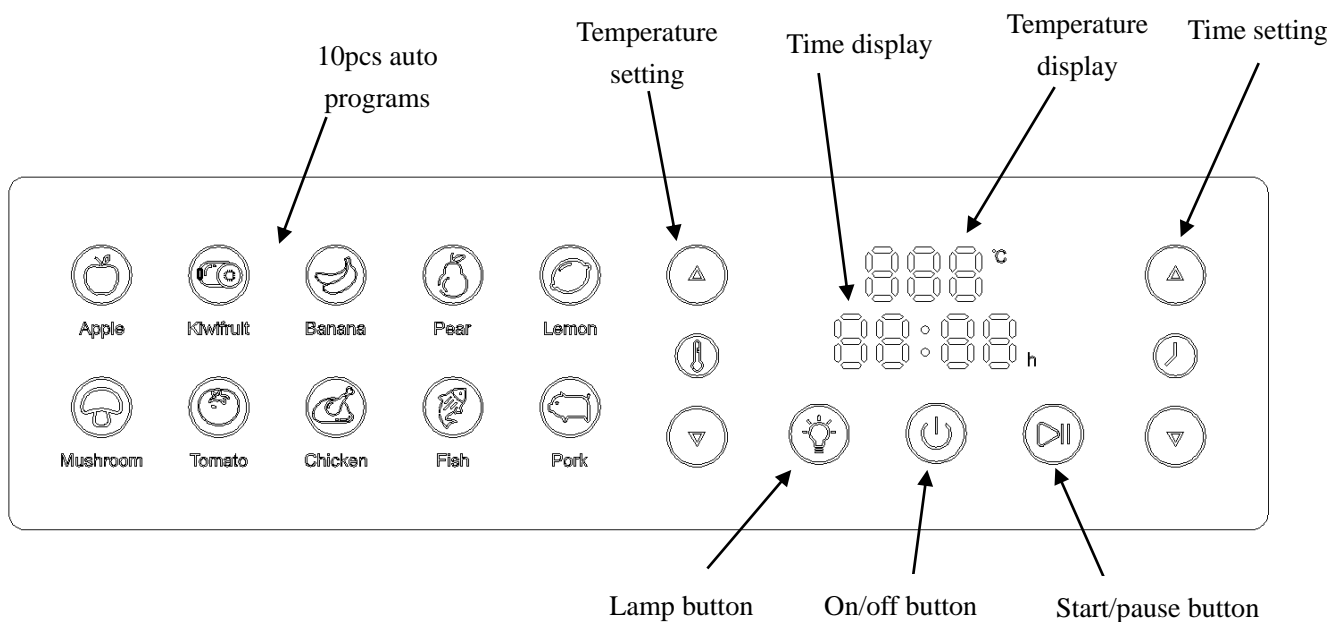
WARNINGS:

- Before connecting the product to the power supply, please check whether the voltage marked on the product is consistent with the local power supply voltage, and all components are installed correctly.
- Do not allow children or persons with intellectual disabilities to use this product unattended.
- This product should be used on a stable table, not on an inclined or blanketed table.
- When going out or not in use for a long time, please be sure to unplug the power plug from the socket.
- After the first power-on, there is a smell, please continue to use it if it is not abnormal.
- Do not operate or plug in or out the power plug with wet hands to prevent electric shock.
- Do not use this product to dry liquid foods.
- Do not use bleach or chemical disinfectant solutions/tablets in this product.
- Do not use steel wool, abrasive cleaners, or corrosive liquids (such as acetone or alcohol) to clean the product.
- The longest continuous use time should not exceed 72 hours each time, so as not to affect the service life of the dryer.
- Do not use this product if the power cord, plug or other accessories are damaged.
- If the power cord is damaged, in order to avoid danger, it must be replaced by professionals from the manufacturer, its maintenance department or similar departments.
- Please do not use accessories or components made by other manufacturers or other manufacturers that are not recommended.
- It is forbidden to modify or lengthen the power cord of this product in any way.
- It is forbidden to use this product outdoors, or to use this product for other purposes.
- All accessories are only suitable for the use of this product. It is forbidden to be used for other purposes or on other similar products to avoid danger.
- It is forbidden to yank the power cord of the product or tie the power cord to an object at a favorable angle.
- Non-professionals are not allowed to disassemble any internal components to avoid danger.
- It is forbidden to move this product when it is plugged in. You can turn it off when necessary, unplug the power plug, and move it to a suitable location.
- If you have any questions, please contact the relevant service center or dealer for help.
- Before cleaning the product, you must first unplug the power plug and let it cool down.
- Do not place any food (including water and seasonings and food) on the saucepan
- Do not put any objects into the hot air outlet hole.
- Never use a microwave oven to heat any other parts of the product.

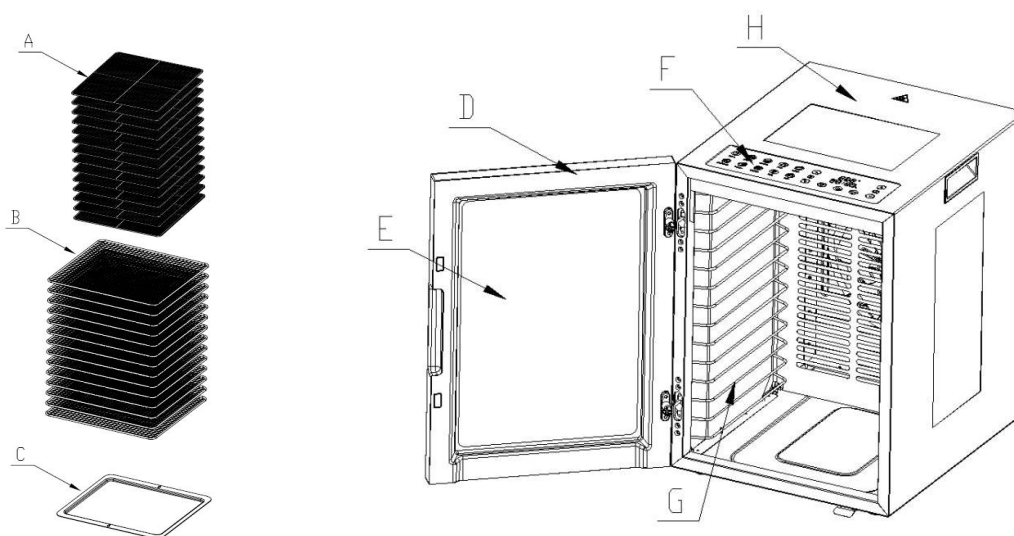
PRODUCT DESCRIPTION:

1.Direction of use: Food dehydrator is used to remove moisture from vegetables and fruits, and dry herbs, spices, fish and meat to preserve vitamins and trace elements.

2.Control panel: touch button operation content and name.



ACCESSORIES AND INSTRUCTIONS:



- A. 14pcs Mesh sheet: It is used to hold small foods that need to be dried and dehydrated.
- B. 14pcs Drying Trays: It is used to hold food that needs to be dried and dehydrated.
- C. Drip Tray: Used to support the fines and fallen juice of the upper layer of food.
- D. Door: It is used to seal the outlet of hot air and bottom air.
- E. Glass door: Used for sealing hot air and observing the state of food inside.
- F. Control Panel: Used to control the work of the machine.

G. Inner chamber: Used to place the shelf to hold the food that needs to be dried and dehydrated.

H. Housing: Metal material.

ACCESSORY DISASSEMBLY METHOD:

A. Take out the machine.

B. Open the door.

C. Take out the drying trays or mesh sheet.

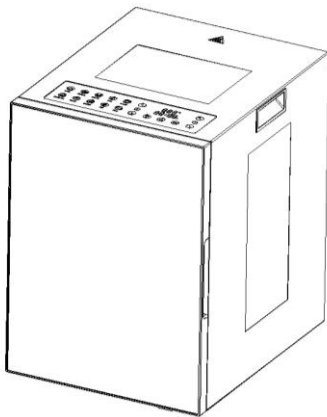
D. Put the food drying trays (if you need to use mesh sheet, please put the mesh sheet on the empty trays) back to the machine.

E. Close the door.

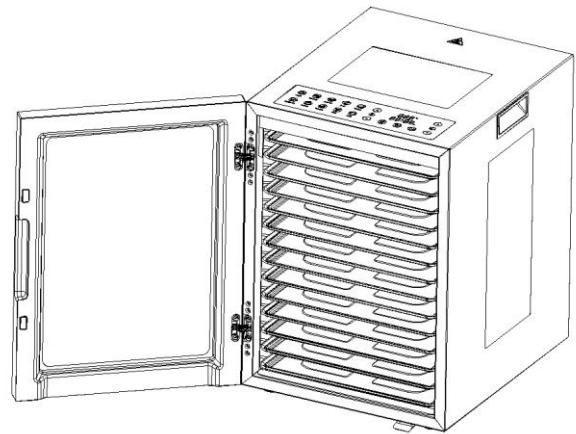
F. Insert the plug into the socket.

G. Operate the control panel and select functions.

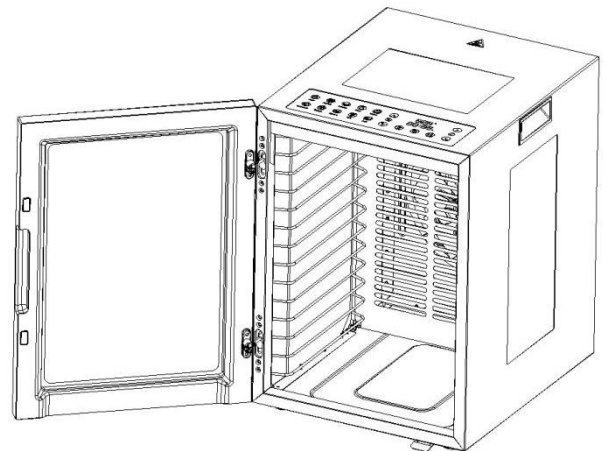
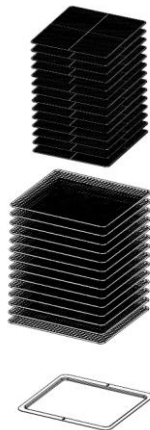
A.



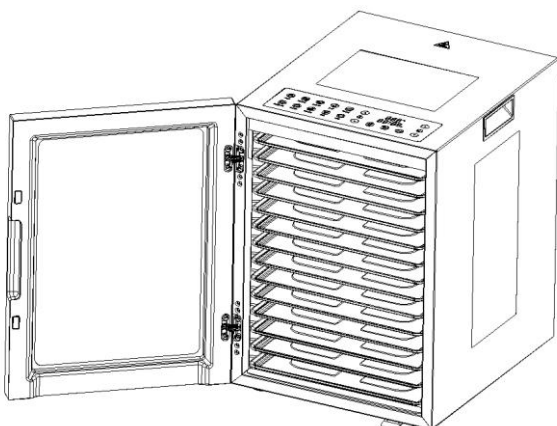
B.



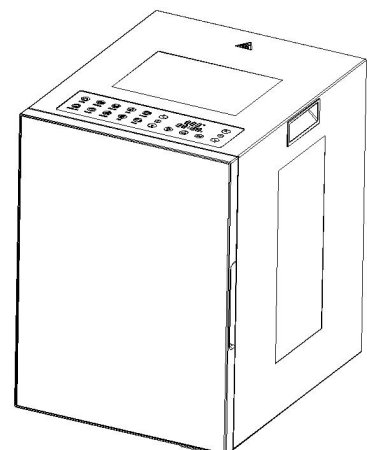
C.



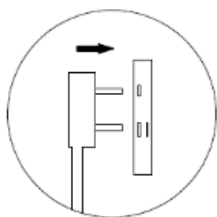
D.



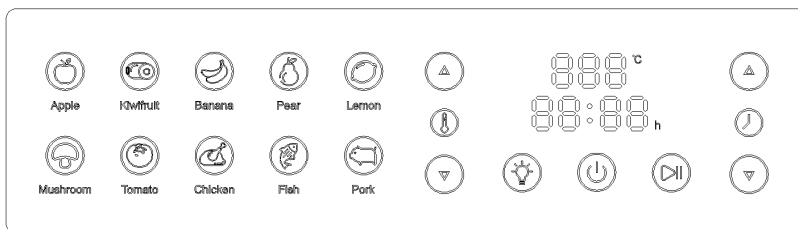
E.



F.



G.



HOW TO USE THE FUNCTION:

1. Place the food on the grill grid, put it into the machine, and close the door.
2. Turn on the power supply.
3. Press the power switch key.
4. Select the desired recipe in the recipe area. Click once to select, click twice to cancel. You can re-select after canceling.
5. Adjust the required temperature 35~75°C. The upper icon is to increase the temperature, and the lower icon is to lower the temperature. Each adjustment will add or subtract 5°C.
6. Adjust the required time 1h~48h. The upper icon increases the time and the lower icon decreases the time. Each adjustment will add or subtract 30 minutes.
7. After selecting, press the start button, and the machine will start heating.
8. The lamp can be turned on and off at any time and is independent.

Panel recipes:

There are 10 auto programs with time and temperature on the control panel. But users can customize the drying time and temperature according to their own preferences.

Except for the food on the control panel, the baking time and temperature of other foods need to be set by the user. They can also bake according to the recommended time and temperature below. The user can also adjust the time and temperature according to the actual situation.◦

| | | | | | | | | | | |
|------|-------|------|--------|------|-------|----------|--------|---------|------|------|
| Icon | | | | | | | | | | |
| | Apple | Kiwi | Banana | Pear | Lemon | Mushroom | Tomato | Chicken | Fish | Pork |
| Temp | 75°C | 75°C | 75°C | 70°C | 75°C | 75°C | 65°C | 75°C | 75°C | 75°C |
| Time | 9h | 12h | 12h | 8h | 12h | 10h | 8h | 7h | 12h | 7h |

CLEANING AND MAINTENANCE:

1. Please turn off the machine before cleaning, unplug the power plug, and it must be dry before the next use.
2. Please take out the accessories according to the method of assembly and disassembly, and clean them separately.
3. The product should be cleaned immediately after each use of the product.
4. Do not immerse the host in water or other liquids, and do not rinse the host under the tap.
5. Do not use bleach or chemical disinfectant solutions/tablets in this product.
6. Do not use steel wire balls, abrasive cleaners or corrosive liquids (such as gasoline, acetone or alcohol) to clean the product.
7. After cleaning, dry the host and all accessories.
8. Please clean relevant accessories in time after use.

COMMON PROBLEM ANALYSIS:

1. The drier does not work / does not heat up?

1.1 Check whether the socket and the power cord plug are well connected.

1.2 Check whether the power cord is in good condition. If the power cord is damaged, it must be replaced by the manufacturer or its maintenance department or similar professionals to avoid danger.

2. The indicator light does not light up:

2.1 Is there a power outage?

2.2 Is the power cord plugged into the socket? Is the power outlet turned off?

Remark:

After analyzing the above phenomena, the fault still cannot be eliminated, please contact the company's maintenance point or the dealer. It is strictly forbidden for non-professionals to disassemble the machine by themselves.

Product specifications:

| | |
|--------------------|-----------------|
| Product name | Food Dehydrator |
| Product number | RAWDH14 |
| Rated voltage | 230V |
| Rated frequency | 50Hz |
| Rated power | 850W |
| Size (L x W x H) | 331x403x455mm |