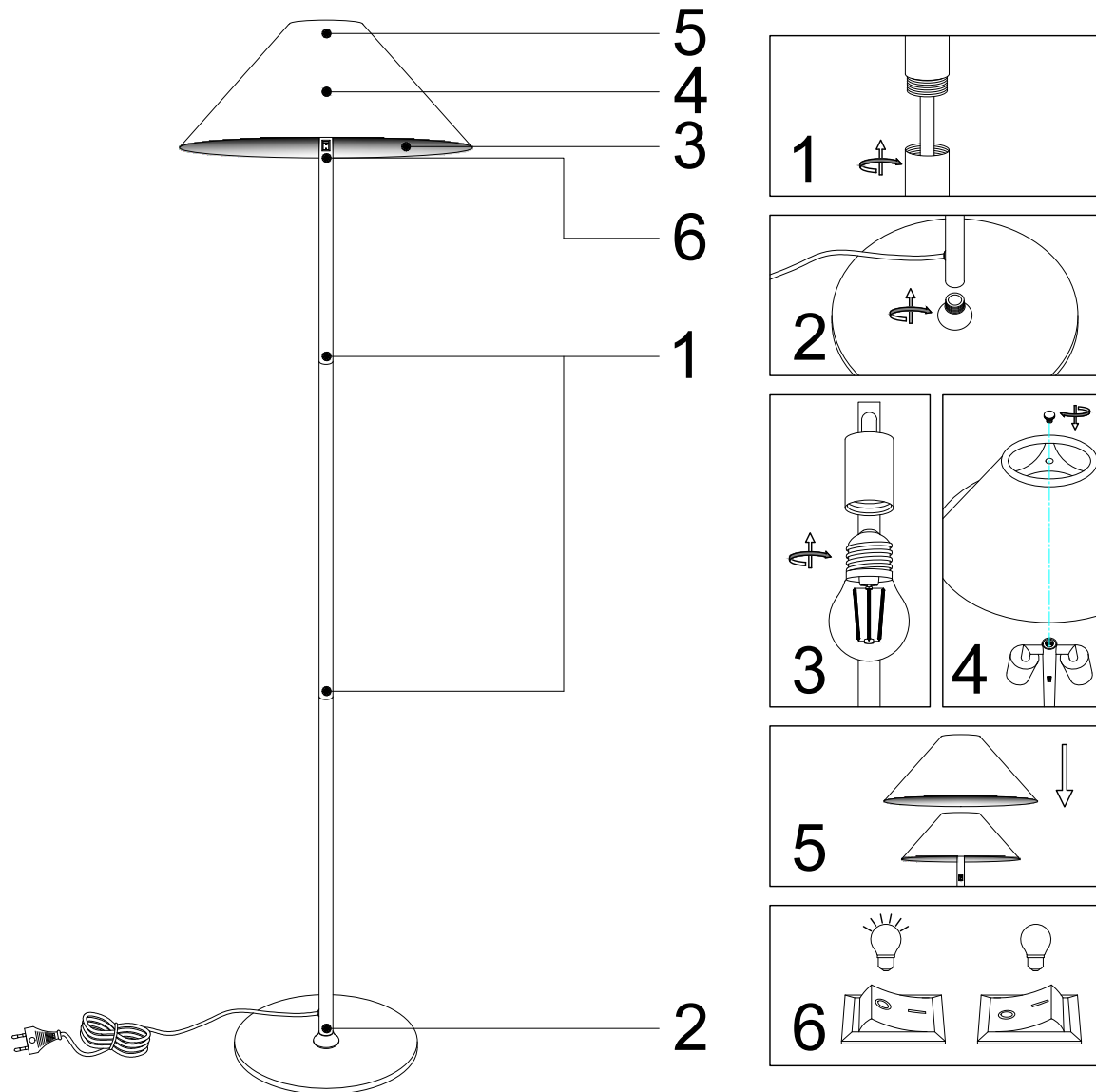


# INSTRUCTION MANUAL



Model:Hygge Gulv D40



- 1,Make sure power is off on the outlet ,before the installation.
- 2,Follow the instruction sketch above.
- 3,Insert the light bulb.
- 4,Go through point 1 to 6 before connecting the lamp to the power.



230V.E27.MAX 40W