

TIMM VLADIMIR

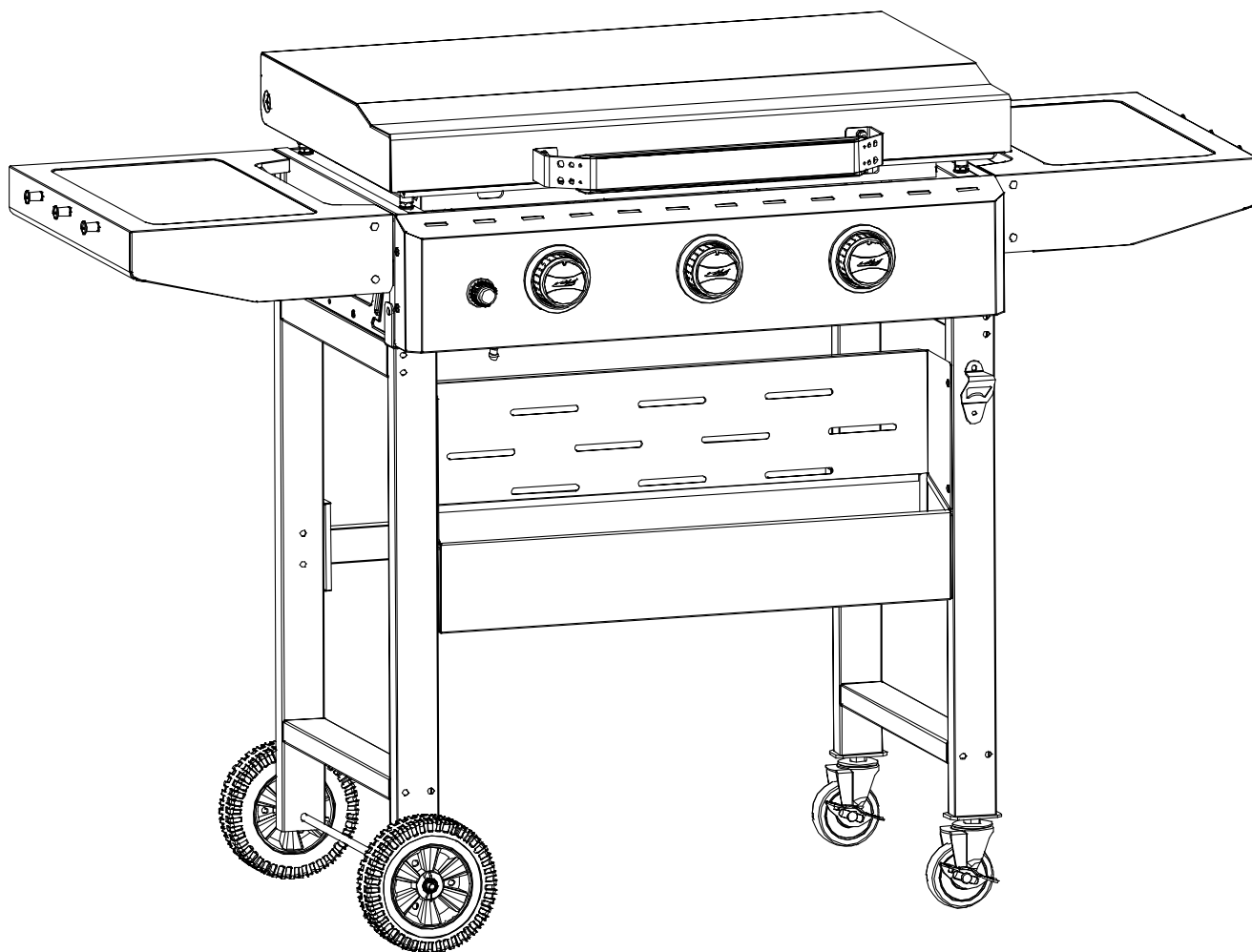
• KITCHEN •

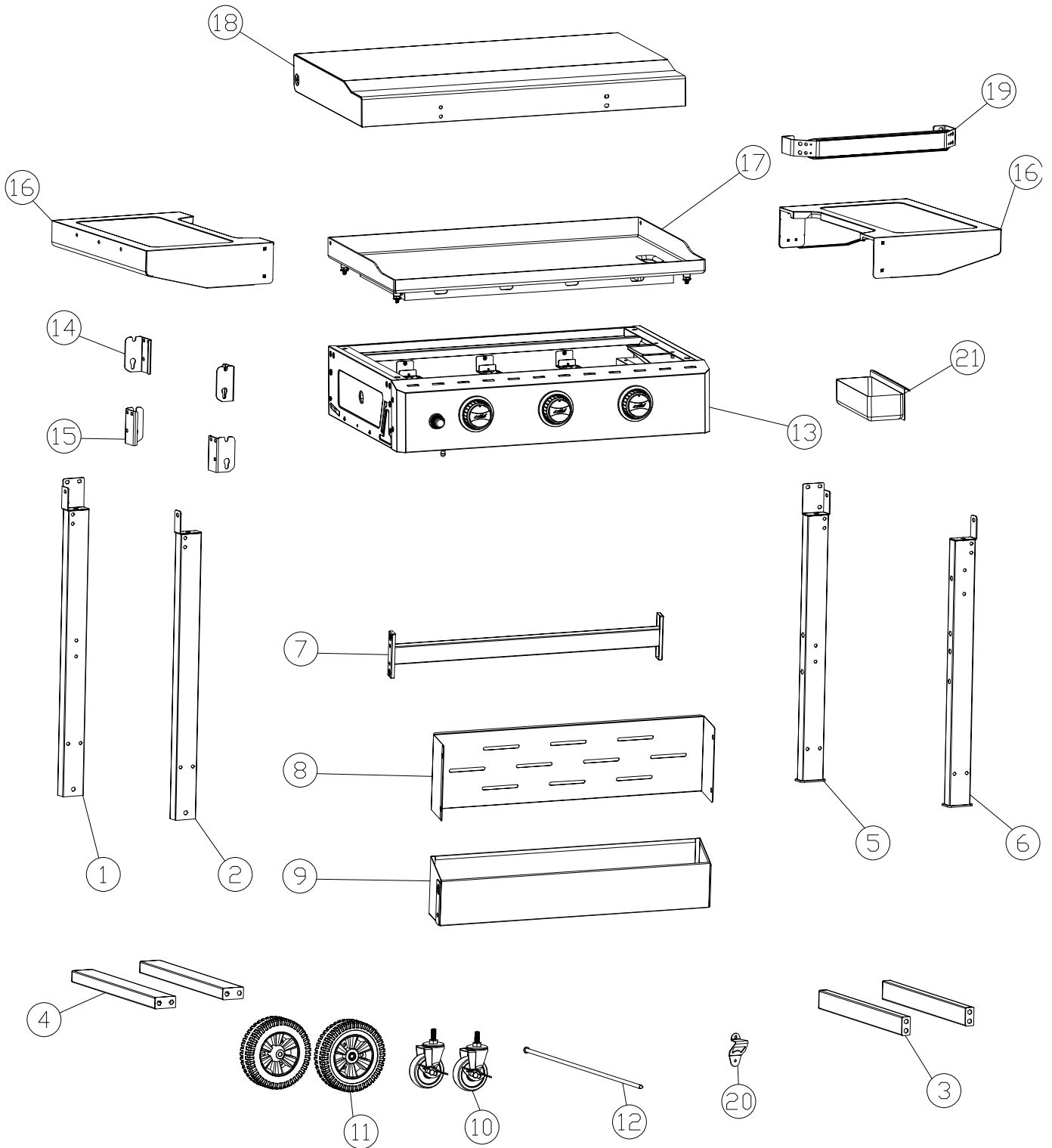
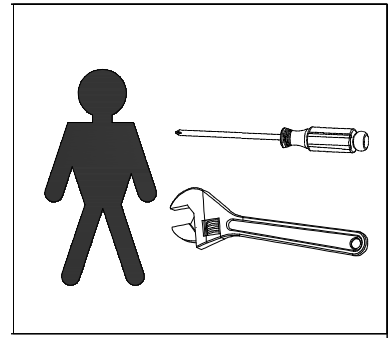
SAMLEVEJLEDNING

100458036

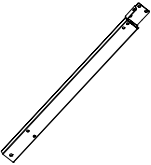




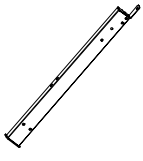

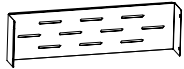



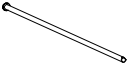
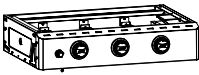
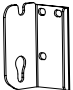
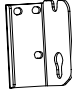
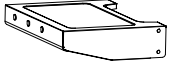

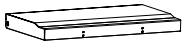


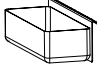
PLANCHA

3 BRÆNDER

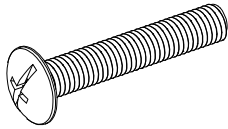




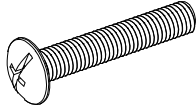
Parts List

① *1 (LB) 	② *1 (LF) 	③ *2 	④ *2 	⑤ *1 (RB) 	⑥ *1 (RF) 
⑦ *1 	⑧ *1 	⑨ *1 	⑩ *2 	⑪ *2 	⑫ *1 
⑬ *1 	⑭ *2 (L) 	⑮ *2 (R) 	⑯ *2 	⑰ *1 	⑱ *1 
⑲ *1 	⑳ *1 	㉑ *1 	/		

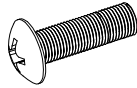
Hardware List



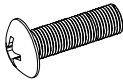
(A) BOLT M6×35
(16pcs)



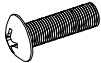
(B) BOLT M6×30
(2pcs)



(C) BOLT M6×12
(14pcs)



(D) BOLT M5×12
(22pcs)



(E) BOLT M4×12
(2pcs)



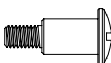
(F) SHIM 16MM OD
(2pcs)



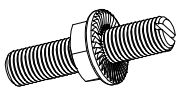
(G) LATCH
(1pc)



(H) WHELL PAD
(2pcs)



(I) STUD HOOK
M5 (6pcs)

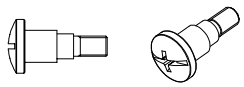


(J) BOLT
(4pcs)



(K) COVER NUT
(4pcs)

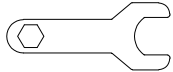
Hardware List



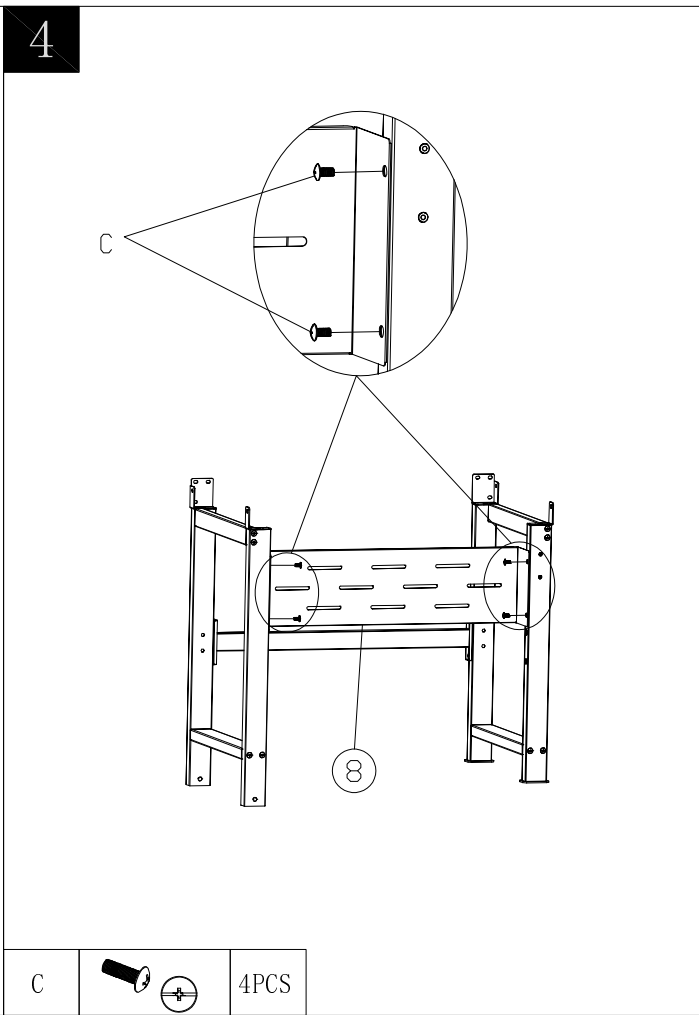
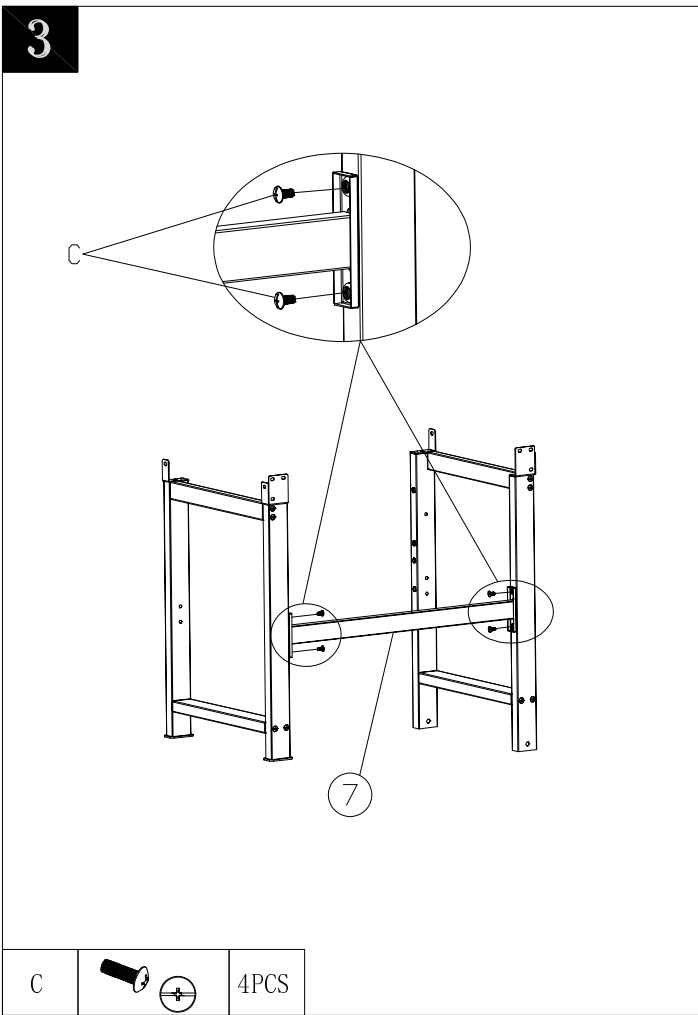
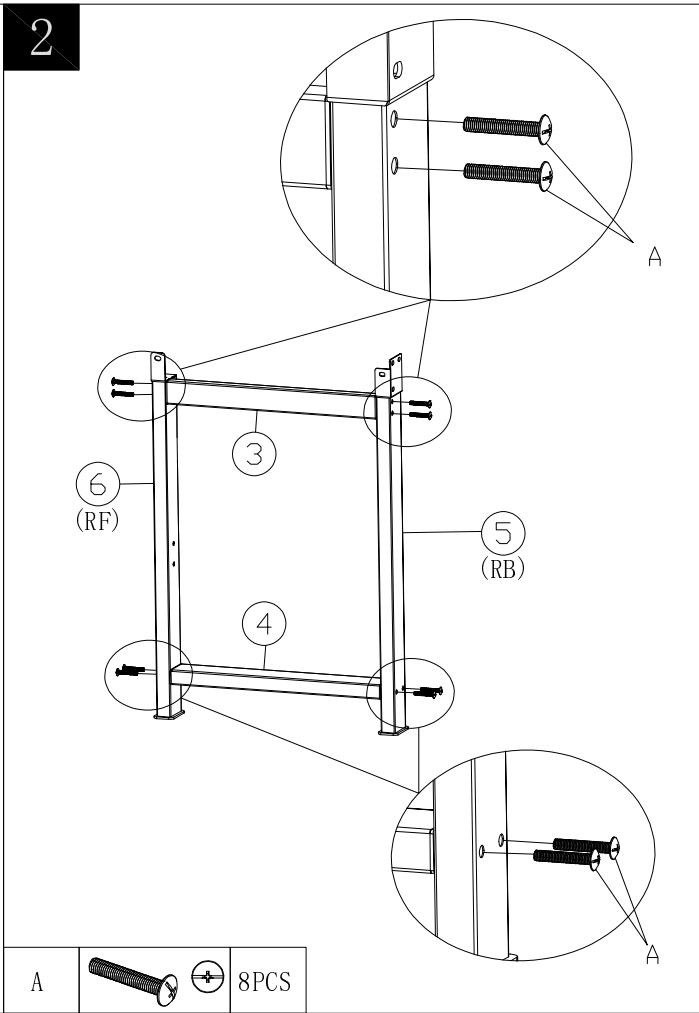
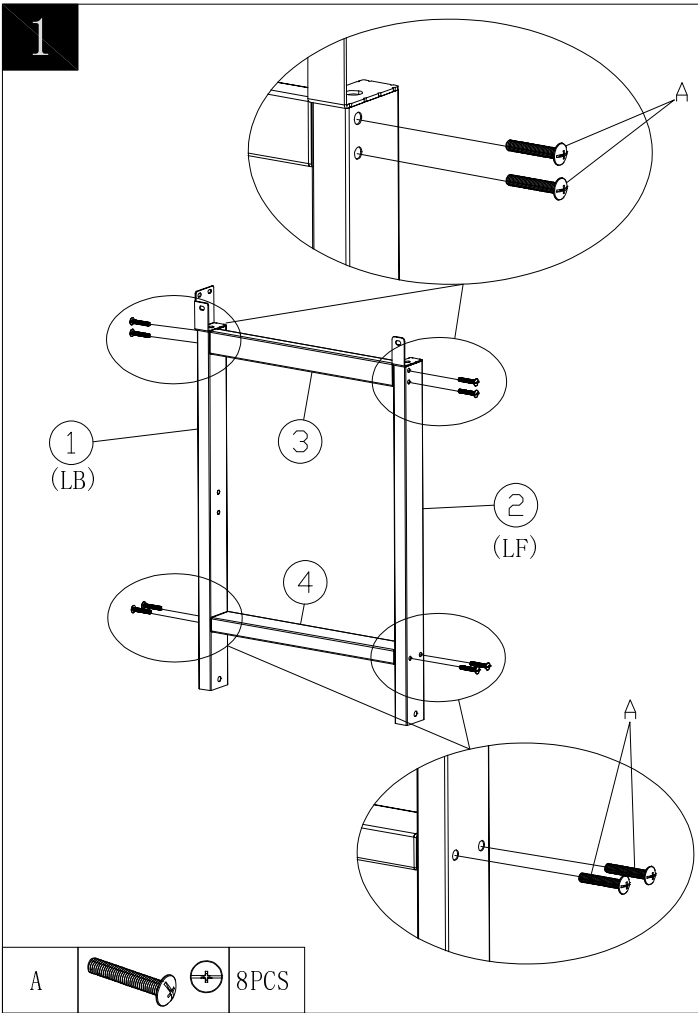
(L) STEP SCREWS
(2pcs)



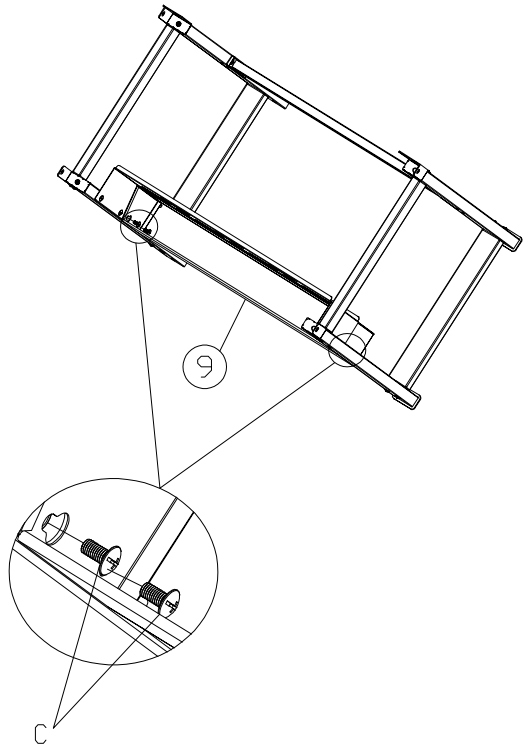
(M) NUT
(2pcs)



(N) WRENCH
(1pc)

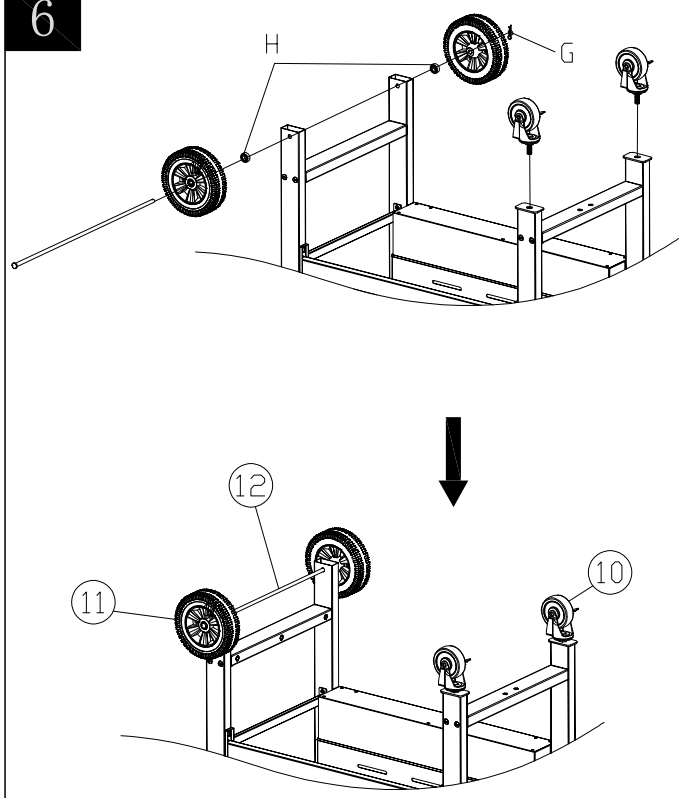


5



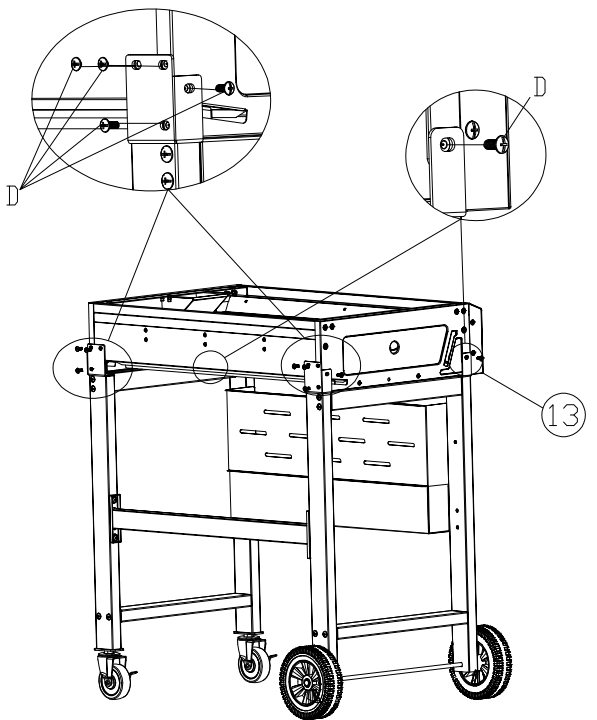
C		4PCS
---	--	------

6



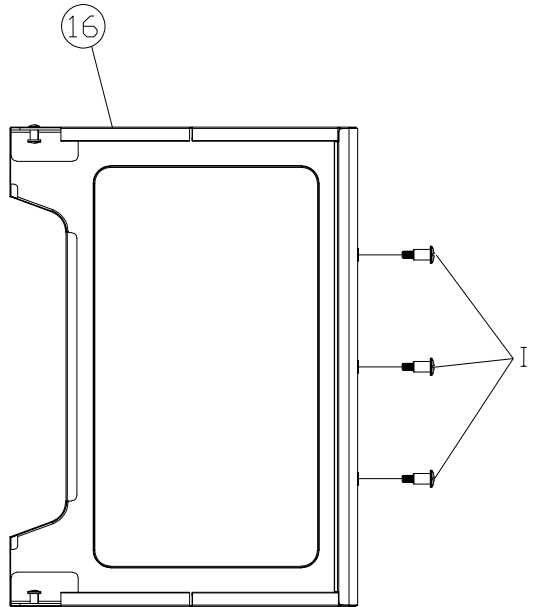
G		1PC
H		2PCS

7



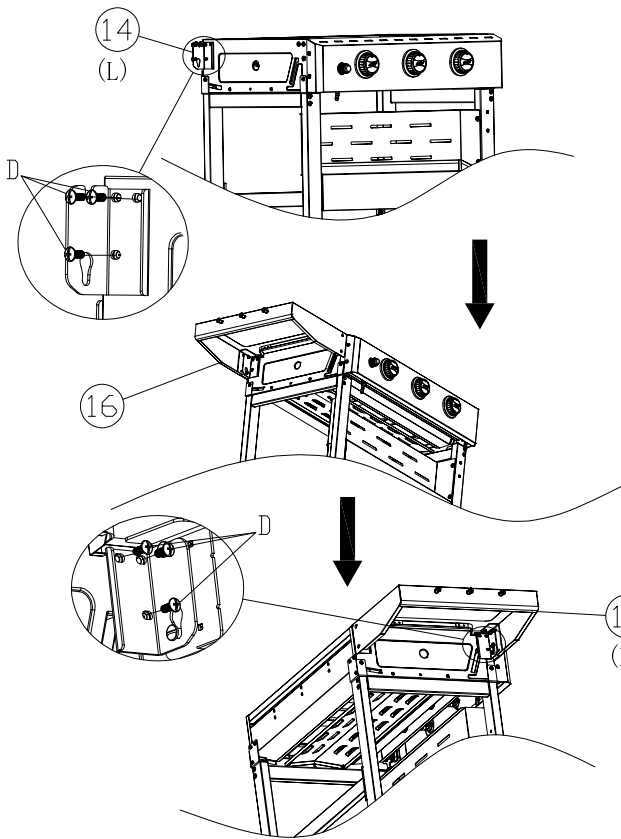
D		10PCS
---	--	-------


8



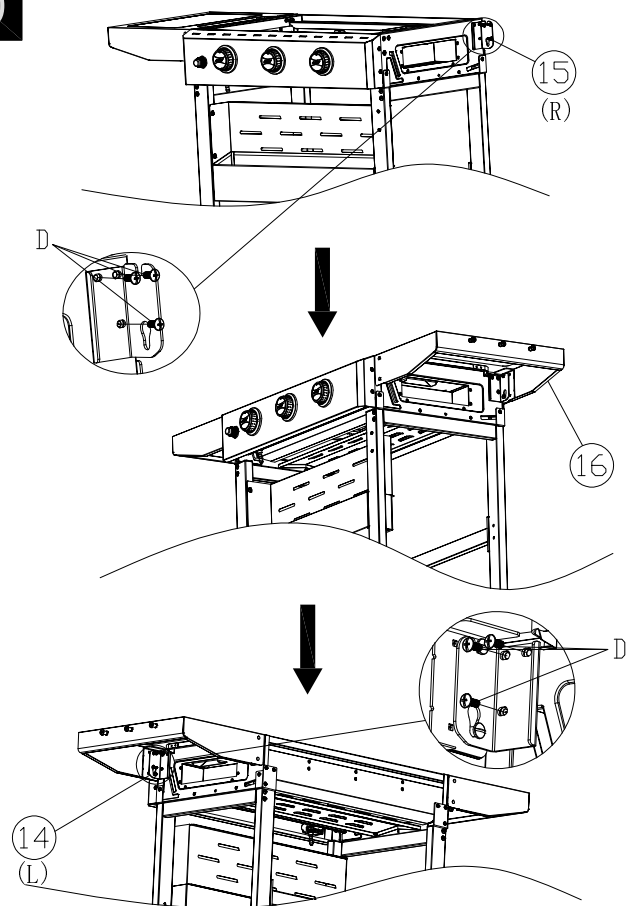
I		6PCS
---	--	------


9



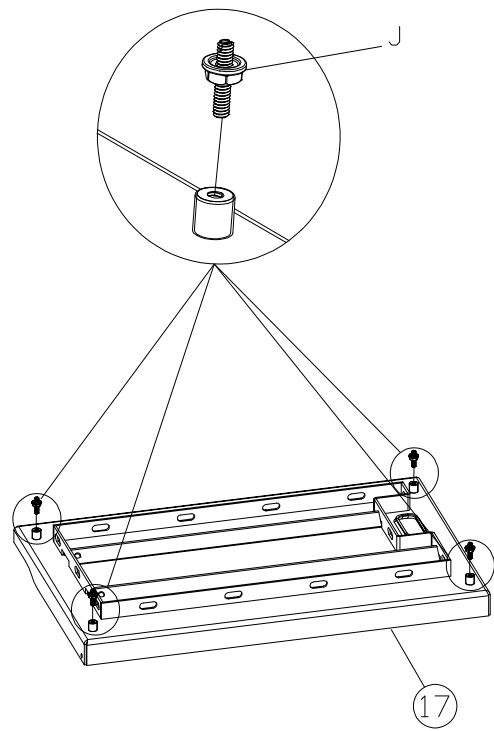
D		6PCS
---	--	------


10



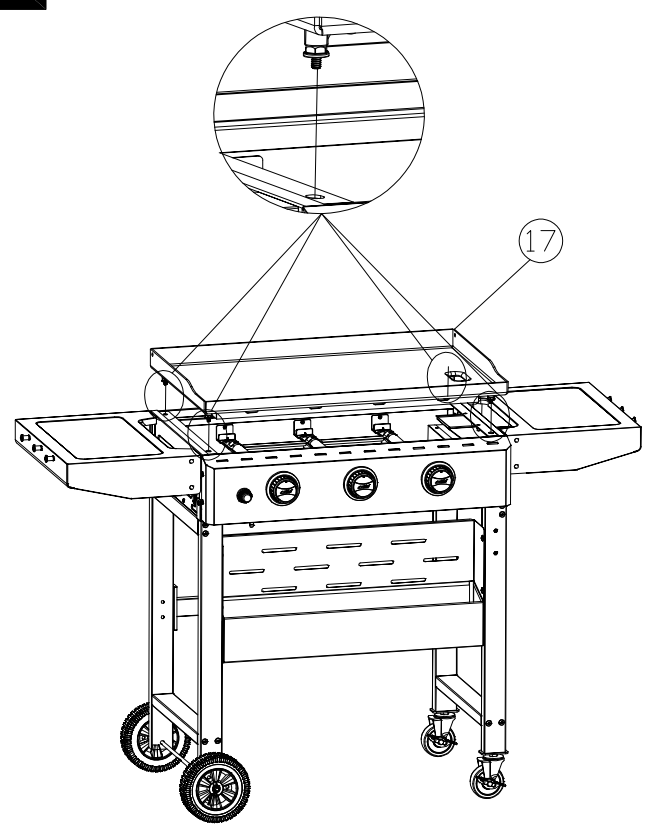
D		6PCS
---	---	------

11

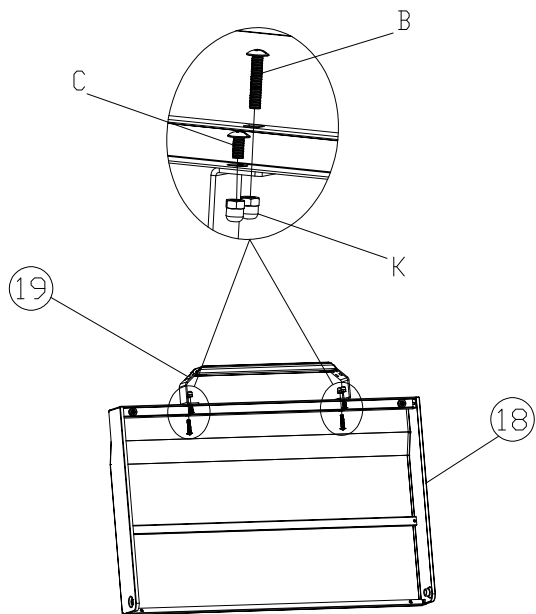


J		4PCS
---	---	------

12

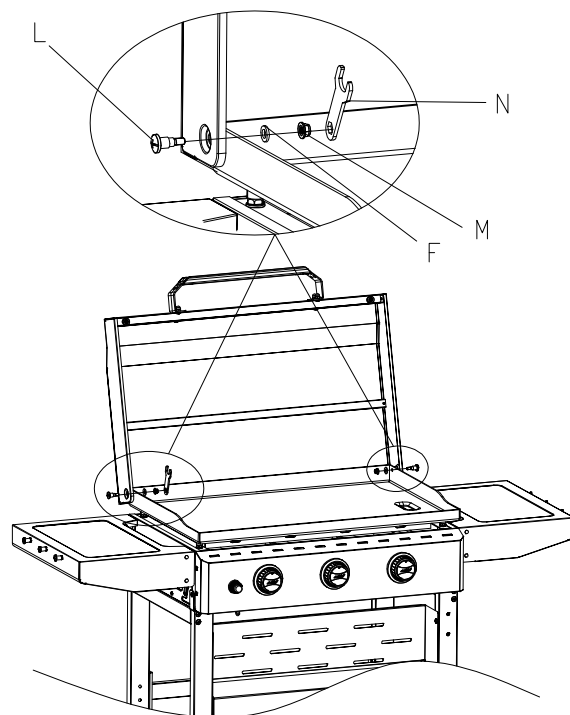


13



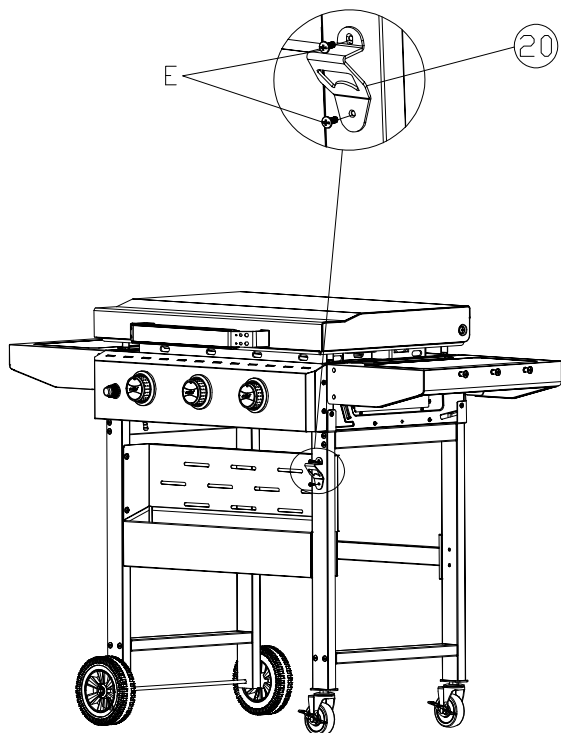
K		4PCS
C		2PCS
B		2PCS

14



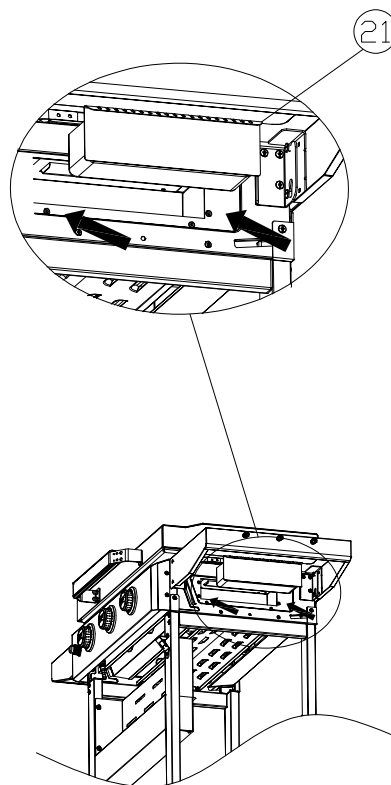
F		2PCS
N		1PC
M		2PCS
L		2PCS

15

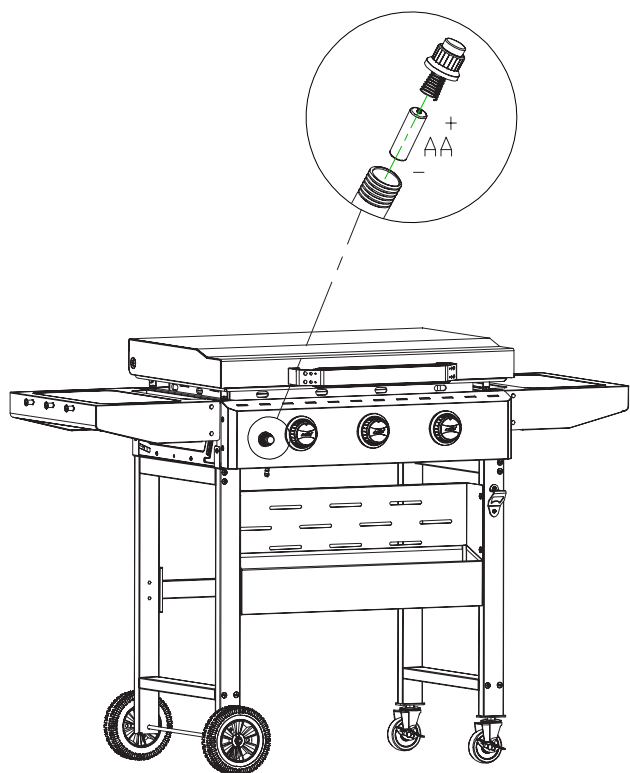


E		2PCS
---	--	------

16



17



18

