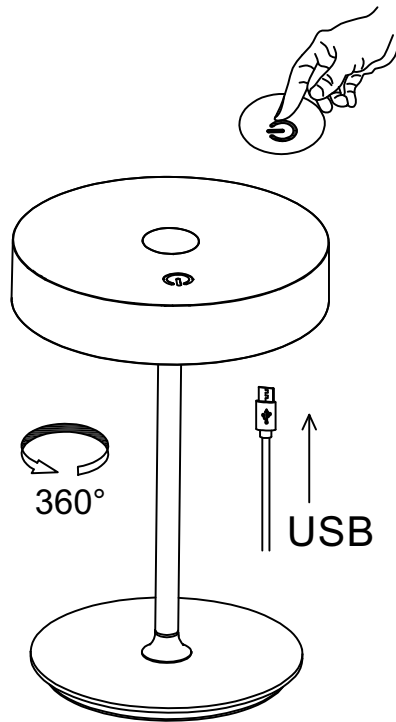


On The Move

INSTRUCTION MANUAL



On The Move can be adjusted freely and has a 3 step dimming system.
Lamp head is magnetic, and can be taken apart from the brass ball for easier charging.

When touching the on/ off icon, the lamp will light up in 3 different light settings.
During charging, there is a small indicator next to the USB-C port that will light red. After fully charged, the light indicator becomes green.

Charging time: 6-7 hours
Working time : 8 hours (depending on what light setting, full light approximately 8 hours)

Please remember in case the lamp has not been used for 2-3 months, that the batteries might need to be recharged.

Material: Metal/ acrylic/ veneer

Use indoor only (IP20)

Halo Design Copenhagen
Gammelgårdsvej 85
DK-3520 Farum
Model no.: On the move
2.5W DC 5V 50/60 Hz LED
4000mAh Battery
IP20

